



WILLIAMS
MILTON ROY

RELAY REPAIR KITS

REPAIR KIT NO. - PO4-6K*

PART NUMBER	DESCRIPTION	QUANTITY
BR-022	BODY SEAL O-RING - BUNA-N	2
BR-029	PISTON O-RING - BUNA-N	1
PO4-4/8	SPRING	1
V-112	POPPET O-RING - VITON®	4

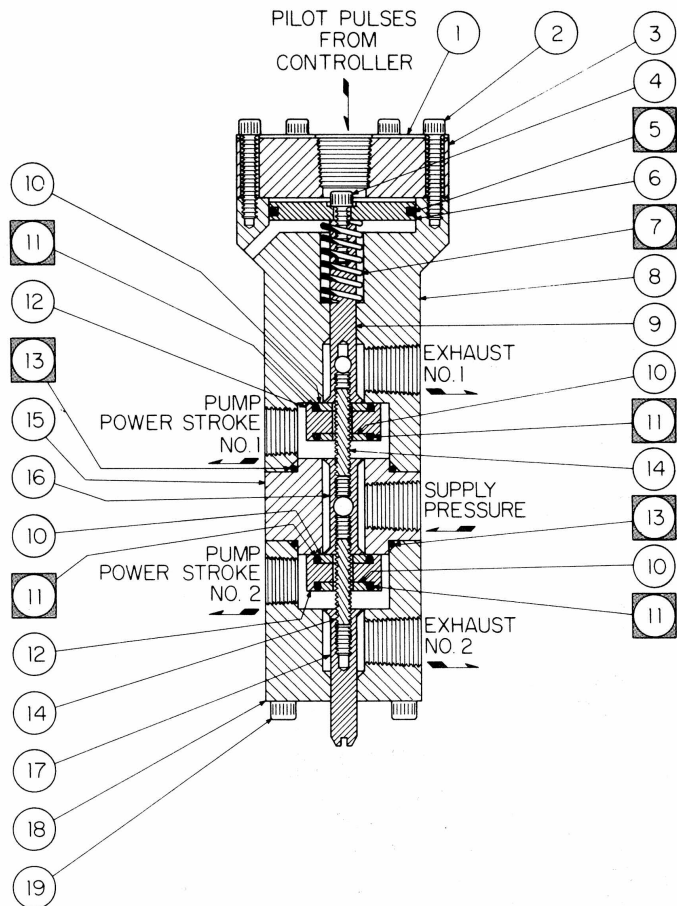
REPAIR KIT NO. - PO4-8K

PART NUMBER	DESCRIPTION	QUANTITY
V-029	BODY SEAL O-RING - VITON®	2
MC225-02BR	PISTON U-CUP - BUNA-N	1
PO4-8/8	SPRING	1
V-211	POPPET O-RING - VITON®	4

* Note: Repair kits compatible with PO4-4S relay

Doc# 31054 • Revised 8-04

PO4-6S/PO4-8S RELAY PARTS LIST



ITEM	DESCRIPTION	NO. REQ.D	PO4-6S	PO4-8S
1	DATA PLATE	1	DP202357	DP4-8
2	TOP CAP SCREWS	6,8	PO3-4/2	OS573
3	TOP CAP	1	PO3-4/3S	PO4-8/3S
4	PISTON LOCK SCREW	1	PO3-4/6	PS225-5/16
5	PISTON O-RING/PISTON U-CUP	1	BR-029	MC225-02BR
6	PISTON/PISTON UPPER POPPET STEM	1	PO3-4/4	PO4-8/7
7	SPRING	1	PO4-4/8	PO4-8/8
8	UPPER BODY SECTION	1	PO302309	PO4-8/9S
9	UPPER POPPET STEM	1	PO3-4/7	PO4-8/7A
10	POPPET O-RING RETAINER	4	PO3-4/13	PO4-8/13
11	POPPET O-RING/VITON STD.	4	V-112	V-211
12	POPPET BODY	2	PO3-4/11	PO4-8/11
13	BODY SEAL O-RING	2	BR-022	V-029
14	POPPET STEM CONNECTOR BOLT	2	PO3-4/10	PO4-8/10
15	MIDDLE BODY SECTION	1	PO102307	PO4-8/14S
16	MIDDLE POPPET STEM	1	PO4-4/15	PO4-8/15
17	LOWER POPPET STEM	1	PO3-4/17	PO4-8/17
18	LOWER BODY SECTION	1	PO102308	PO4-8/16S
19	BOTTOM CAP SCREW	4	A1032234SHCS	A10324SHCS

STANDARD CONTROLLER-RELAY-PUMP COMBINATIONS		
PUMP	RELAY	CONTROLLER
CRP500W400	PO3-6S	MK-XII
CRP1000W400	PO3-6S	MK-XII
CRP1000W600	PO3-6S	MK-XII
CRP1000W800	PO4-6S	MK-XII
CRP1500W400	PO4-6S	MK-XII
CRP1500W600	PO4-6S	MK-XII
CRP1500W800	PO4-6S	MK-XII
CRP2250W600S	PO4-6S	MK-XII
CRP2250W600L	PO4-6S	MK-XII
CRP2250W800S	PO4-6S	MK-XII
CRP2250W800L	PO4-8S	MK-XII

NOTES:


When using a relay it is recommended to use a pressure regulator (PCV) for the "Oscillamatic" controller and another PCV for the relay.

The pressure supply to the "Oscillamatic" controller should be set at a minimum pressure of 35 PSI.

The pressure supply to the relay should be a minimum of 50 PSI to a maximum of 150 PSI, depending on the required discharge pressure. See individual pump specifications for specific amplification ratios.

During maximum input pressures, the exhaust mode noise level may become excessive. Muffler model no. RM-8 may be used in the exhaust ports.

TO BE CONSIDERED ONLY ON PUMPS INCLUDING AN 8 INCH PISTON: It is recommended to install a volume chamber or a supply line of a minimum size of 1/2 inch in size, between the PCV and the relay. This allows the necessary volume to the relay during maximum operating conditions.

REPAIR KITS: The items identified with the symbol  are contained in a complete repair kit. See bulletin no. RK-PO4-6S/8S.

NOTES:
Use above relays as pump model dictates.