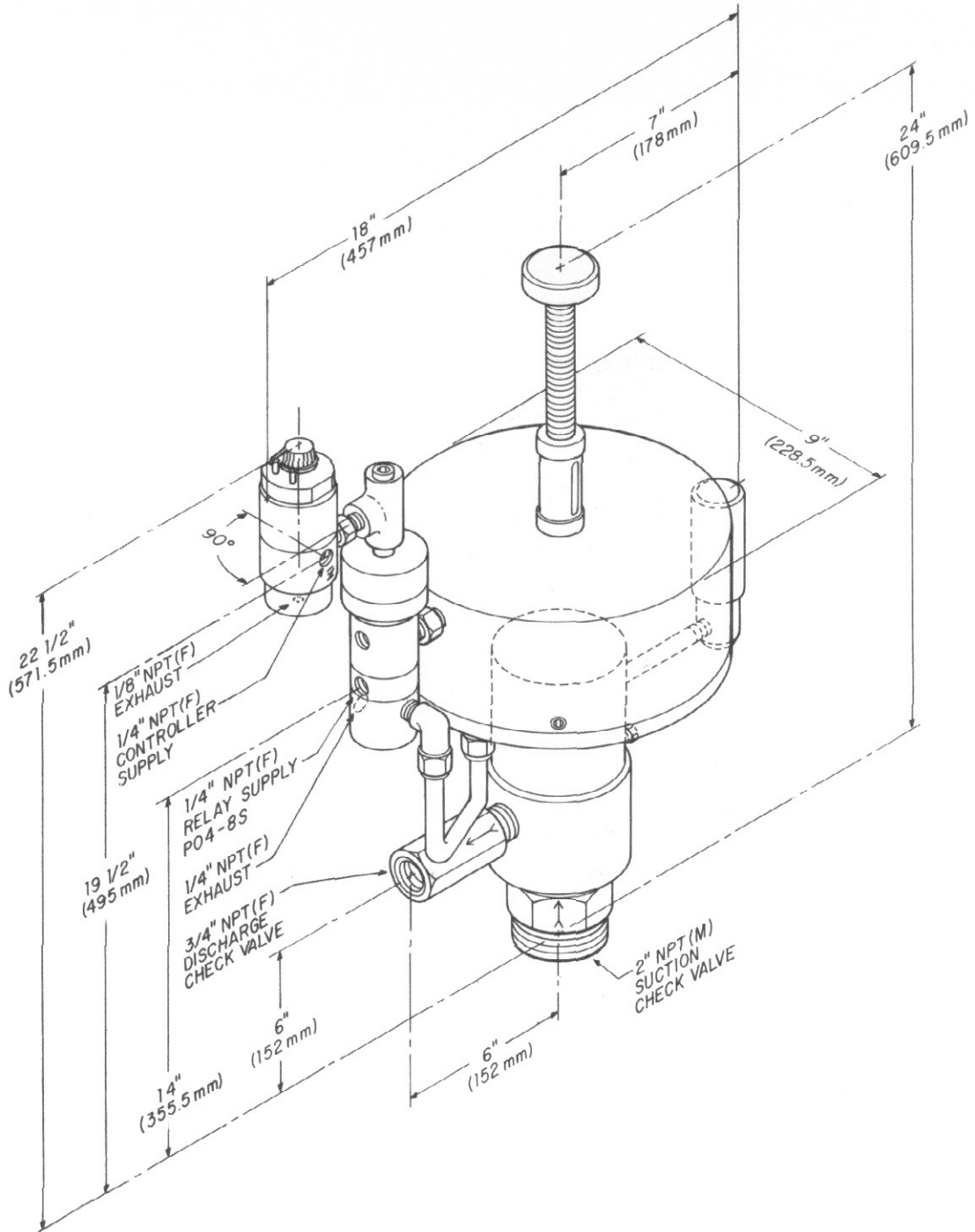




**WILLIAMS**  
**MILTON ROY**

**OUTLINE  
DIMENSIONS**



**MODEL: CRP2250W800L SERIES**